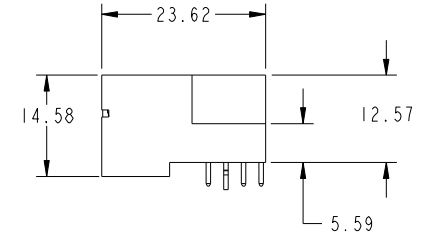
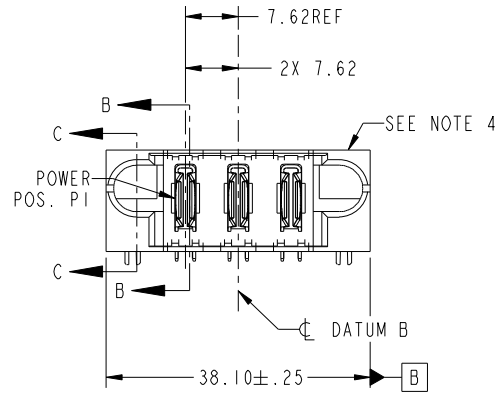


Tous droits strictement reserves. Reproduction ou communication a des tiers interdite sous quelque forme que ce soit sans autorisation écrite du propriétaire. Propriete de c FCI. Droits de reproduction FCI.

All rights strictly reserved. Reproduction or issue to third parties in any form whatever is not permitted without written authority from the proprietor. Property of FCI. Copyright FCI.



PRODUCT NO. 51939-059... NOTE: 3	POWER				
	E1	P1	P2	P3	E2



CODE	DIM "M" MATING LENGTH	CONTACT TYPE
PA	[N/A]	POWER
HA	[N/A]	HOLD-DOWN

mat'l code				SEE NOTE		tolerances unless otherwise specified		CUSTOMER		FCI	
ltr	ecn no.	dr	date	linear	0.X ± 0.5	projection		COPY		www.fciconnect.com	
A	V03-0478	TAB	04/29/03		0.XX ± 0.25	MIM		title		3P	
B	DG05-0056	LH	03/29/05	angles	0.XXX ± 0.10	← MIM →		RIGHT ANGLE SOLDER HEADER		product family	
C	DG06-0014	JMG	01/10/06	dr	0° ± 2°	scale		PwrBlade		code	
D	DG07-0498	JW	09/10/08	enrg	T. BRUNGARD 04/29/03	1:1		size		213	
				chr	M. MOSTOLLER 04/29/03			dwg no		sheet	
				appd	M. MOSTOLLER 04/29/03			A 51939-059		1 of 4	
sheet index	revision sheet	D	D	D	D			cage code		4	
1	2	3	4					22526			

Pro/E

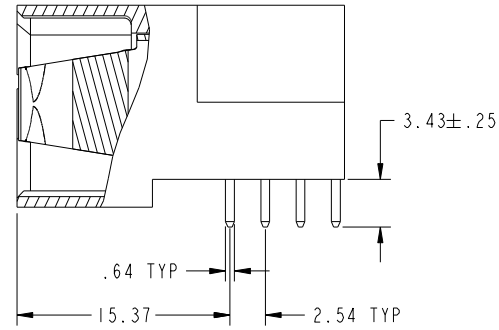
cage code 22526

Tous droits strictement reserves. Reproduction ou communication a des tiers interdite sous quelque forme que ce soit sans autorisation écrite du propriétaire. Propriete de c FCI. Droits de reproduction FCI.

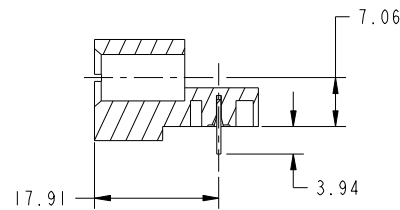


All rights strictly reserved. Reproduction or issue to third parties in any form whatever is not permitted without written authority from the proprietor. Property of FCI. Copyright FCI.

PRODUCT NUMBER
51939-059--
NOTE: 3



△ BROKEN-OUT SECTION B-B
SCALE 2:1



SECTION NOTE				Tolerances unless otherwise specified		CUSTOMER		FCI	
ltr	ecr no.	dr	date	linear	0.X ± 0.5	COPY		www.fciconnect.com	
D					0.XX ± 0.25	projection		title	
				angles	0.XXX ± 0.10			3P RIGHT ANGLE SOLDER HEADER	
		dr	T. BRUNGARD	04/29/03		MIM		product family	PwrBlade
		enr	M. MOSTOLLER	04/29/03				size	code
		chr	M. MOSTOLLER	04/29/03		scale		dwg no	213
		appd	M. MOSTOLLER	04/29/03		1:1		A	51939-059
sheet index	revision sheet								sheet 2

cage code 22526

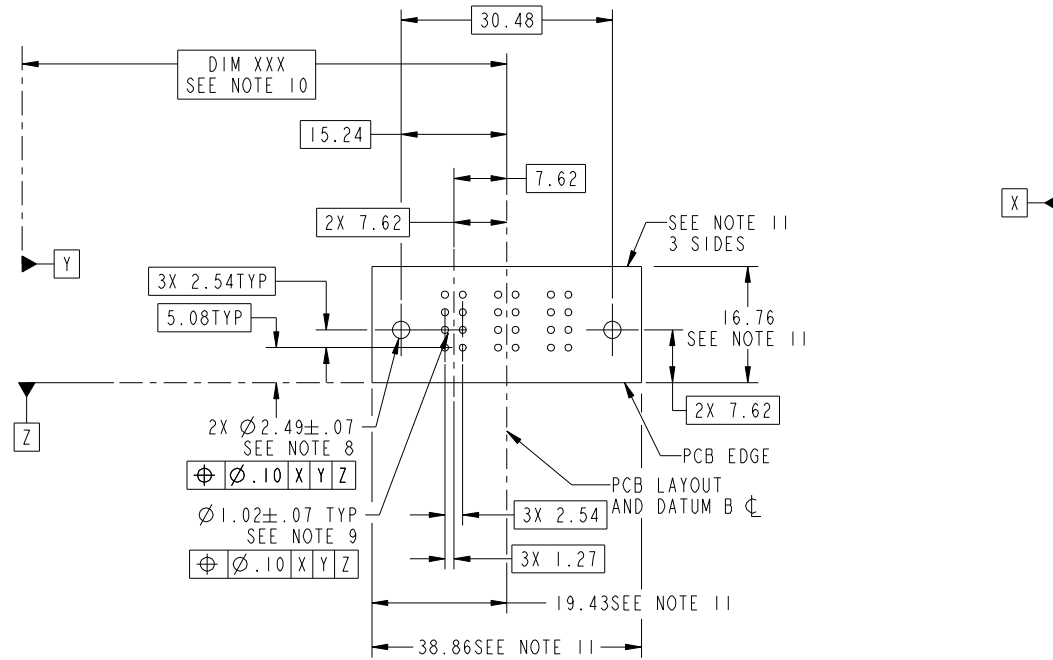
Pro/E

Tous droits strictement reserves. Reproduction ou communication a des tiers interdite sous quelque forme que ce soit sans autorisation écrite du propriétaire. Propriete de c FCI. Droits de reproduction FCI.



All rights strictly reserved. Reproduction or issue to third parties in any form whatever is not permitted without written authority from the proprietor. Property of FCI. Copyright FCI.

PRODUCT NUMBER
51939-059_-
NOTE: 3



RECOMMENDED PCB LAYOUT

mat'l code		SEE NOTE		tolerances unless otherwise specified		CUSTOMER		www.fciconnect.com	
ltr	ecn no.	dr	date	linear	0.X ± 0.5	COPY		title	
D					0.XX ± 0.25	projection		3P	
				angles	0.XXX ± 0.10			RIGHT ANGLE SOLDER HEADER	
				dr	0° + 2°			product family PwrBlade code	
				engr	T. BRUNGARD 04/29/03	scale		213	
				chr	M. MOSTOLLER 04/29/03	1:1		size	
				appd	M. MOSTOLLER 04/29/03	A		dwg no	
sheet index	revision sheet							51939-059	
								sheet 3	

cage code 22526

Pro/E

Tous droits strictement reserves. Reproduction ou communication a des tiers interdite sous quelque forme que ce soit sans autorisation écrite du propriétaire. Propriete de c FCI. Droits de reproduction FCI.



All rights strictly reserved. Reproduction or issue to third parties in any form whatever is not permitted without written authority from the proprietor. Property of FCI. Copyright FCI.

PRODUCT NUMBER
51939-059_-
NOTE: 3

NOTES:

1. DIMENSIONS AND TOLERANCES ARE IN ACCORDANCE WITH ASME Y14.5M, 1994 UNLESS OTHERWISE SPECIFIED.

CONNECTOR NOTES:

2. HOUSING MATERIAL: UL 94 V-0 GLASS FILLED

HIGH-TEMP THERMOPLASTIC
POWER CONTACT MATERIAL: COPPER ALLOY
SIGNAL PIN MATERIAL: COPPER ALLOY

3. PLATING

SEE ITEM 1 & 2 IN PRINT 10064183 FOR PLATING SPEC OF 51939-059; 51939-059LF PRESPECTIVELY.

4. MANUFACTURER'S NAME, P/N, AND DATE CODE TO APPEAR ON THIS SURFACE.

5. PRODUCT SPECIFICATION GS-12-149.
APPLICATION SPECIFICATION BUS-20-067.

6. PACKAGED IN TRAYS.

PCB NOTES:

7. ALL HOLE DIAMETERS ARE FINISHED HOLE SIZE.

8. MOUNTING HOLES, WHERE APPLICABLE, ARE UNPLATED.

9. $\varnothing 1.151 \pm 0.025$ DRILLED HOLES PLATED WITH

0.008 MIN SnPb OR Sn OVER 0.03
TO 0.08 Cu PLATING TO ACHIEVE
 $\varnothing 1.02 \pm .07$ HOLE.

10. "DIM XXX" TO BE DETERMINED BY THE CUSTOMER.

11. CONNECTOR KEEP-OUT ZONE.

12. A Δ SYMBOL WILL BE NEXT TO ANY DIMENSION, VIEW, OR NOTE WHICH HAS BEEN MODIFIED WITH THE CURRENT DRAWING REVISION.

mat'l code		SEE NOTE		tolerances unless otherwise specified		CUSTOMER		www.fciconnect.com	
ltr	ecn no.	dr	date	linear	0.X ± 0.5	COPY		title	
D					0.XX ± 0.25	projection		3P	
				angles	0.XXX ± 0.10			RIGHT ANGLE SOLDER HEADER	
				dr	T. BRUNGARD 04/29/03			product family PwrBlade code	
				enrg	M. MOSTOLLER 04/29/03			size dwg no 213	
				chr	M. MOSTOLLER 04/29/03	scale		sheet	
				appd	M. MOSTOLLER 04/29/03	1:1		4	
sheet index	revision sheet								

cage code 22526

Pro/E